

1. There are some rabbits and chickens in a field. Together they have 65 heads and 192 feet. How many chickens are there?

- A) 29
- B) 31
- C) 32
- D) 34

2. A truck owner will refuel his vehicle at a rate of 2 gallons of diesel fuel every 5 seconds. If diesel cost \$1.25 per gallon, how long will it take for the truck owner to refuel his vehicle with \$40 worth of diesel fuel?



- A) 20 seconds
- B) 1 minute
- C) 1minute 20 seconds
- D) 1 hour 20 minutes

3. A snail can move about 4m in 5 minutes. What's the average speed of the snail on m/s?



- A) 0.013 m/s
- B) 0.13m/s
- C) 1.3 m/s
- D) 13 m/s

4. An athlete takes 10 rounds of a rectangular park, 50m long and 25m wide. Find the total distance covered by him.

- A) 1250m
- B) 125m
- C) 150m
- D) 1500m

5. A car covers 301km in 3.5 hours. Find its average speed per hour.

- A) 80
- B) 86
- C) 91,5
- D) 9,15

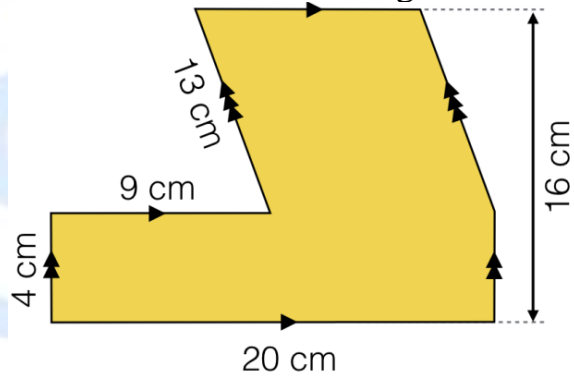
6. Find $\frac{0,5}{0,6 + \frac{1}{0,5 + \frac{1}{0,5}}} = ?$

- A) 0,05
- B) 0,5
- C) 5
- D) 50

7. Solve $1,01 + 2,02 + 3,03 + \dots + 9,09 = ?$

- A) 45
- B) 45,45
- C) 54
- D) 54,54

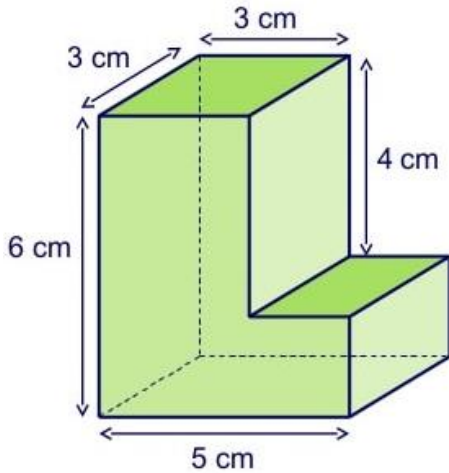
8. Find the area of this figure?



- A) 227
- B) 150
- C) 210
- D) 212

9. Find the sum of:
 $12 + 16 + 20 + \dots + 116 = ?$
- A) 1619
 B) 1728
 C) 1816
 D) 1921

10. What is the surface area of this L – shaped prism?



- A) 80
 B) 95
 C) 110
 D) 120
11. A box contains seven different white rabbits and five different black rabbits. In how many ways can a conjurer pick out a pair of rabbits of different colors?



- A) 12
 B) 25
 C) 35
 D) 70

12. In how many ways can eight different charms be arranged on a circular bracelet?
- A) 5040
 B) 2520
 C) 1520
 D) 524

13. Find the smallest value of x ?

$$\frac{x-1}{4} - 3 < \frac{2x-1}{3} + x$$

- A) - 2
 B) - 1
 C) 0
 D) 1

14. Solve

$$x \oplus y = (xy)^{yx}$$

- A) 3^6
 B) 3^9
 C) 2^6
 D) 6^6

$$x \otimes y = \left(\frac{y}{x}\right)^x$$

$$1 \otimes (2 \oplus 3) = ?$$

15. Solve $a - (b + 1) - [2 - (a + 1)] + b - 2a = ?$

- A) - 2
 B) - 1
 C) 0
 D) a

16. With the given information, find y ?

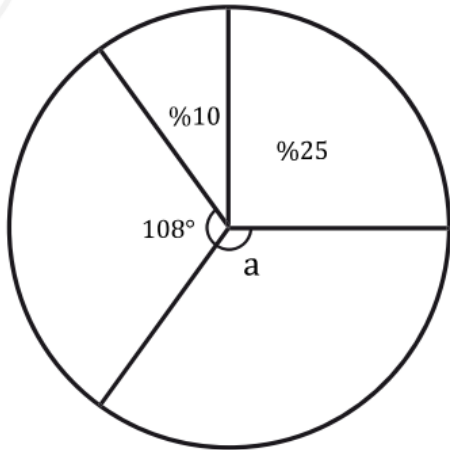
$$x + y - z = 0$$

$$3x - y + z = 4$$

$$2x + 2y - z = 9$$

- A) 7
 B) 8
 C) 9
 D) 10

17. Find a?



a = ?

- A) 126
- B) 136
- C) 144
- D) 152

18. Find the next one?

- I. $5 \square 3 = 19$
- II. $8 \square 2 = 22$
- III. $10 \square 5 = 35$
- IV. $12 \square 7 = ?$

- A) 30
- B) 35
- C) 40
- D) 45

19. Open the lock with the given information.

- 147** ONE DIGIT IS RIGHT BUT IN THE WRONG PLACE
- 189** ONE DIGIT IS RIGHT AND IN ITS PLACE
- 965** TWO DIGITS ARE RIGHT, BOTH ARE IN THE WRONG PLACE
- 523** ALL DIGITS ARE WRONG
- 286** ONE DIGIT IS RIGHT BUT IN THE WRONG PLACE



- A) 279
- B) 672
- C) 679
- D) 769

20. Solve

- I. $345 \rightarrow 35$
- II. $822 \rightarrow 20$
- III. $434 \rightarrow 28$
- IV. $543 \rightarrow ?$

- A) 25
- B) 27
- C) 29
- D) 32

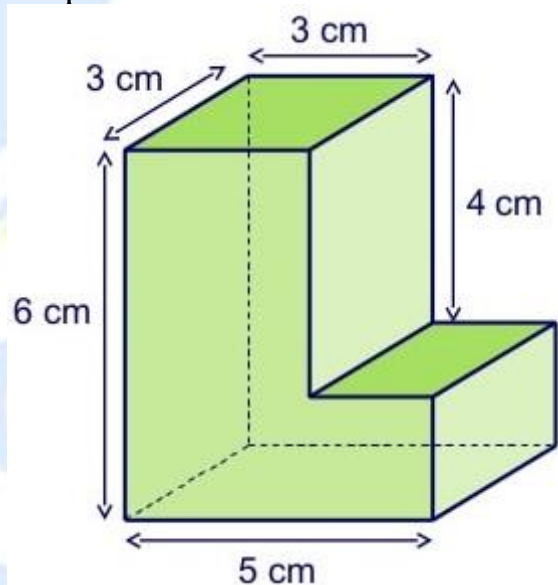
21. Find the sum of: $17 + 21 + 25 + 29 + \dots + 81 + 85 = ?$

Answer:

22. Solve $2210 \cdot 2212 - 2211 \cdot 2209 = ?$

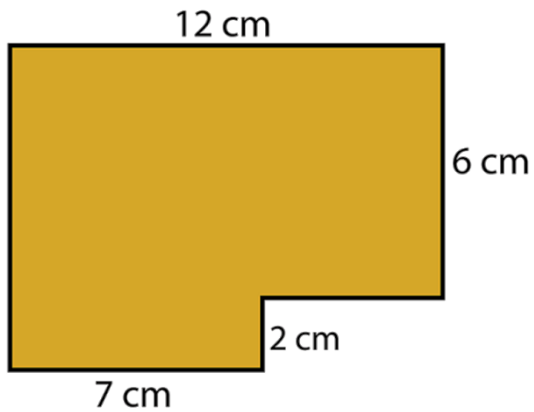
Answer:

23. What is the volume of this L-shaped prism?



Answer:

24. Find the sum of area and perimeter of this figure.



Answer:

25. Farmer has 30 chickens and rabbits altogether legs only 100. How many chickens are there?

Answer:

FISO